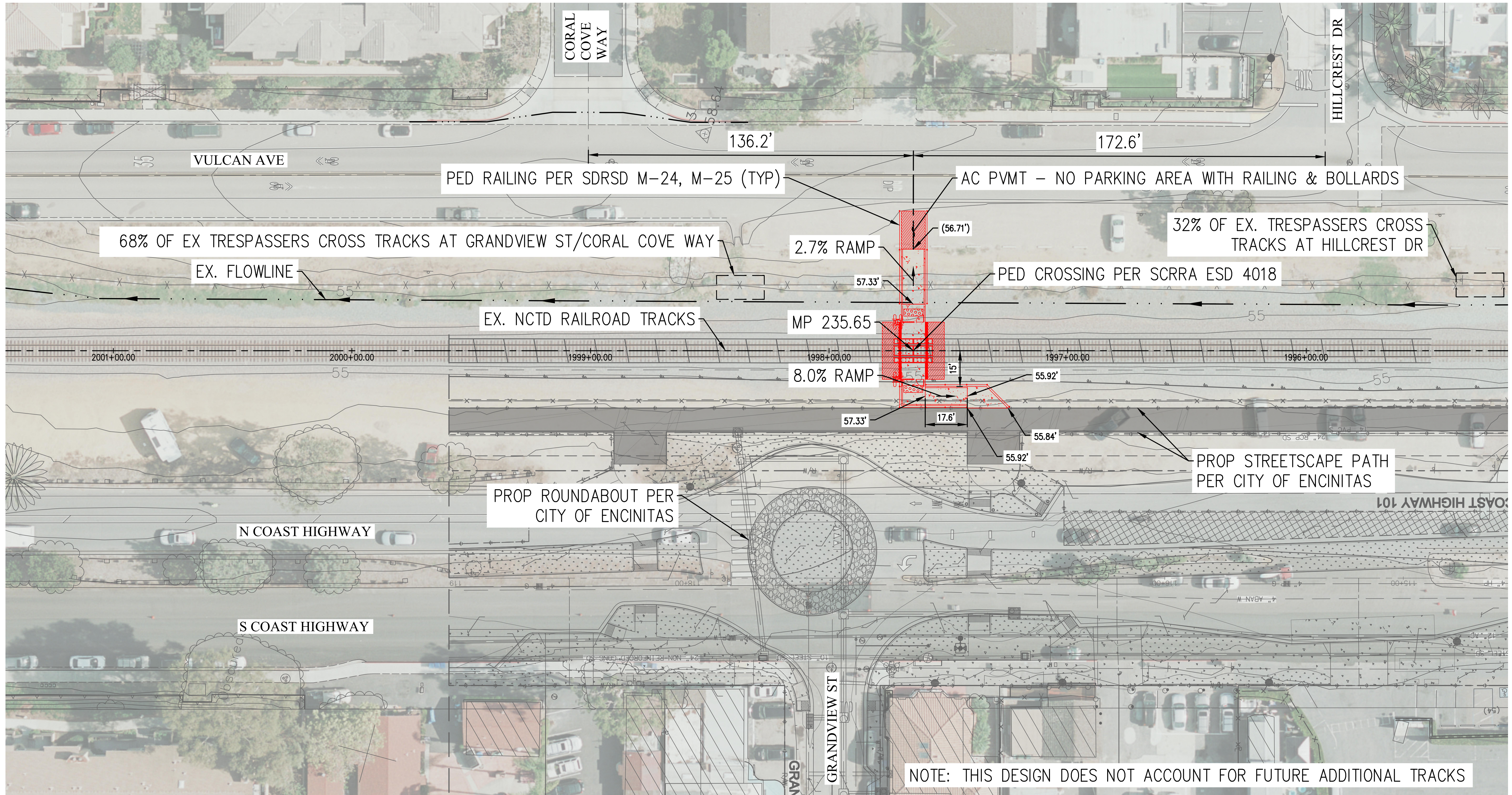
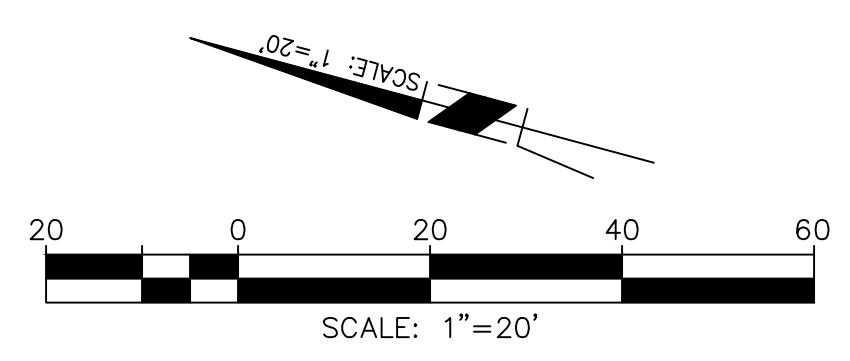


Z:\Engineering\City of Encinitas\North Leucadia At-Grade Rail Crossings\900 CADD\970 Exhibits\LPX-GRANDVIEW ST-XING_PATH.dwg KYLE ALJAN

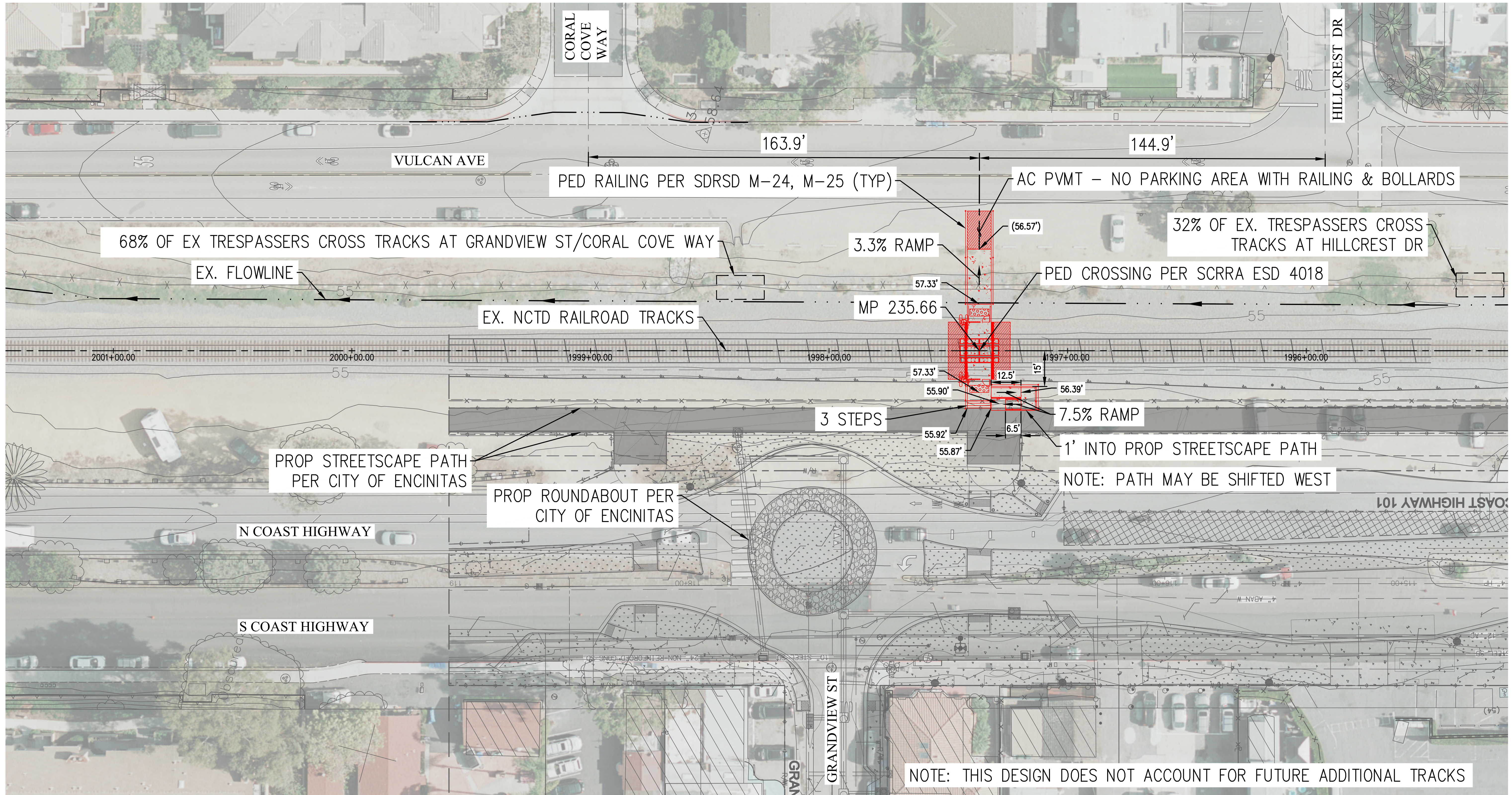


PATHWAY RAMP ALTERNATIVE

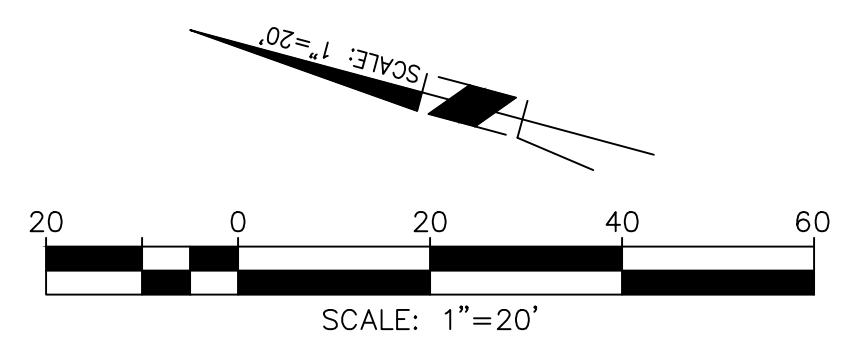



<p>15625 ALTON PKWY, STE 140 IRVINE, CA 92618 WWW.RAILPROS.COM</p>	<p>E-MAIL: INFO@RAILPROS.COM PHONE: (714) 734 - 8765</p>	<p>NORTH LEUCADIA AT-GRADE CROSSINGS GRANDVIEW ST PED CROSSING</p>	
		<p>SCALE: 1" = 20'</p>	<p>DATE: 12-01-2022</p>

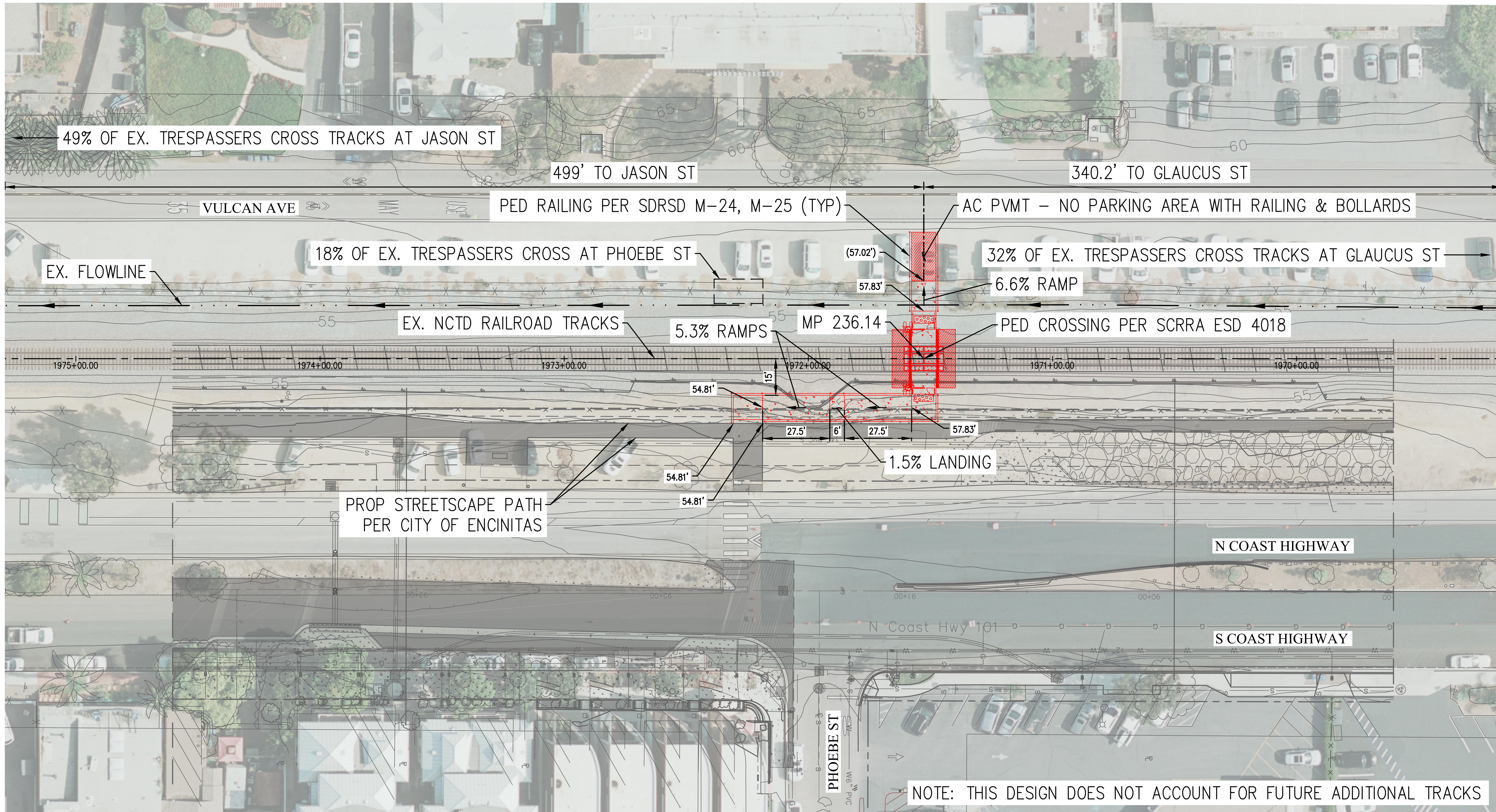
Z:\Engineering\City of Encinitas\North Leucadia At-Grade Rail Crossings\900 CADD\970 Exhibits\LPX-GRANDVIEW ST-XING-STAIRS.dwg



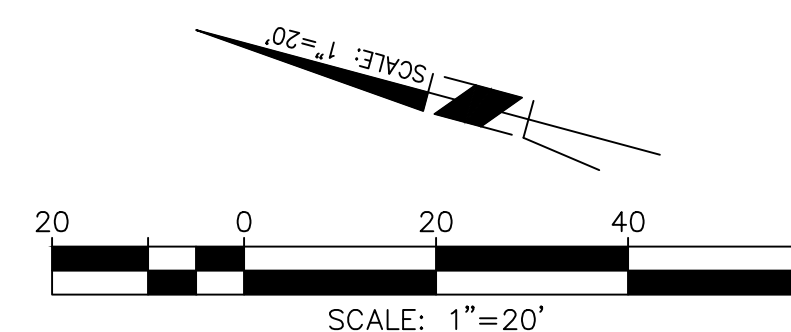
STAIRS AND ADA RAMP ALTERNATIVE



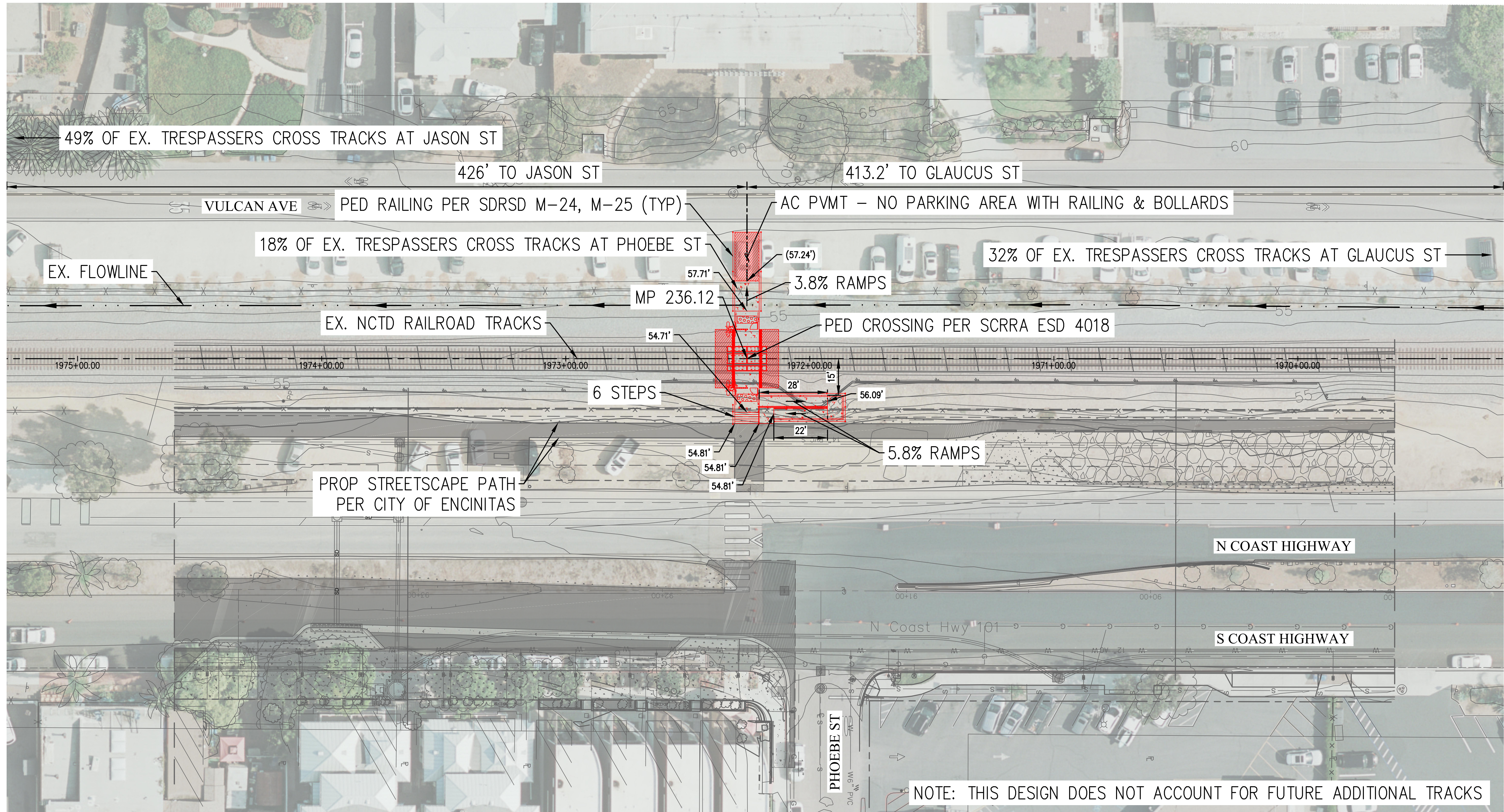
 15625 ALTON PKWY, STE 140 IRVINE, CA 92618 WWW.RAILPROS.COM	E-MAIL: INFO@RAILPROS.COM PHONE: (714) 734 - 8765	NORTH LEUCADIA AT-GRADE CROSSINGS GRANDVIEW ST PED CROSSING	
		SCALE: 1" = 20'	DATE: 12-01-2022



PATHWAY RAMP ALTERNATIVE



Z:\Engineering\City of Encinitas\North Leucadia At-Grade Rail Crossings\000 CADD\970 Exhibits\LPX-PHOEBE ST-XING_STAIRS.dwg
KYLE ANJAN



STAIRS AND ADA RAMP ALTERNATIVE

